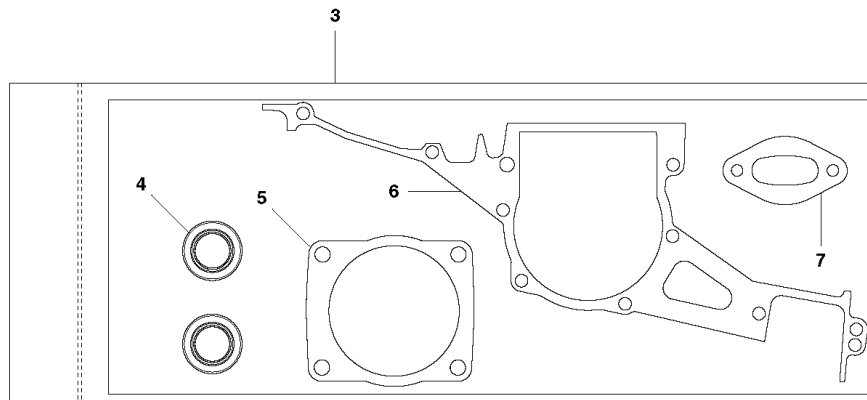
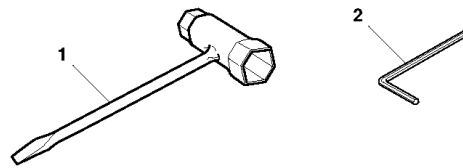


Product Catalog: /K 950

ACCESSORIES

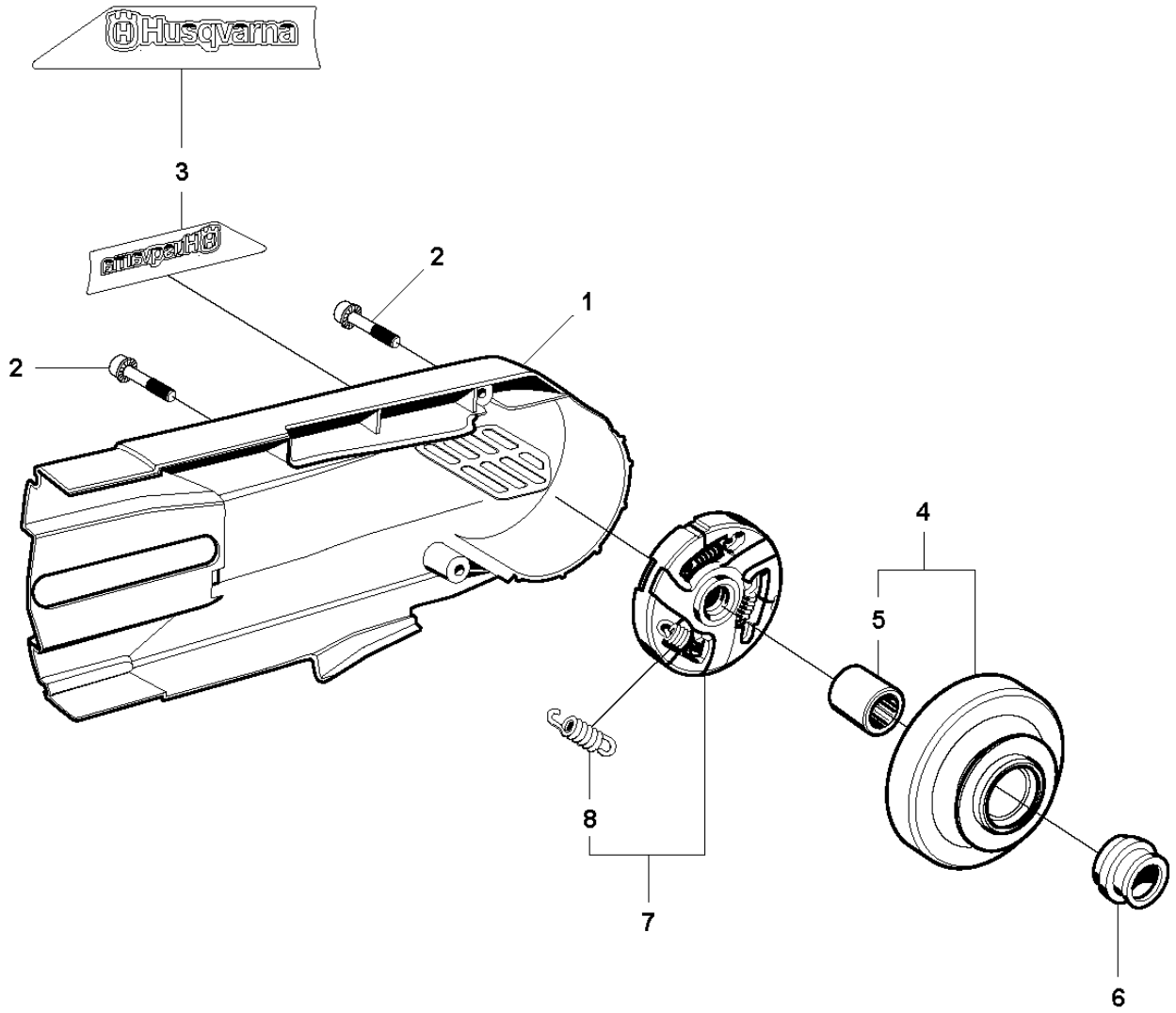
N K950 ACTIVE
Accessories
Zubehöre
Accessoires
Acessorios
Tillbehör



Ref.	Article N.	Description	Qty	Kit
1	501691702	COMBINATION WRENCH <i>13-19mm</i>	1	-
2	502215801	WRENCH <i>4 mm</i>	1	-
3	506290504	GASKET KIT <i>Incl, 4, 5, 6, 7</i>	1	-
4	503260205	SEALING RING	2	-
5	506158201	GASKET	1	-
6	506232401	GASKET	1	-
7	506378101	GASKET	1	-

BELT GUARD

C K950 ACTIVE

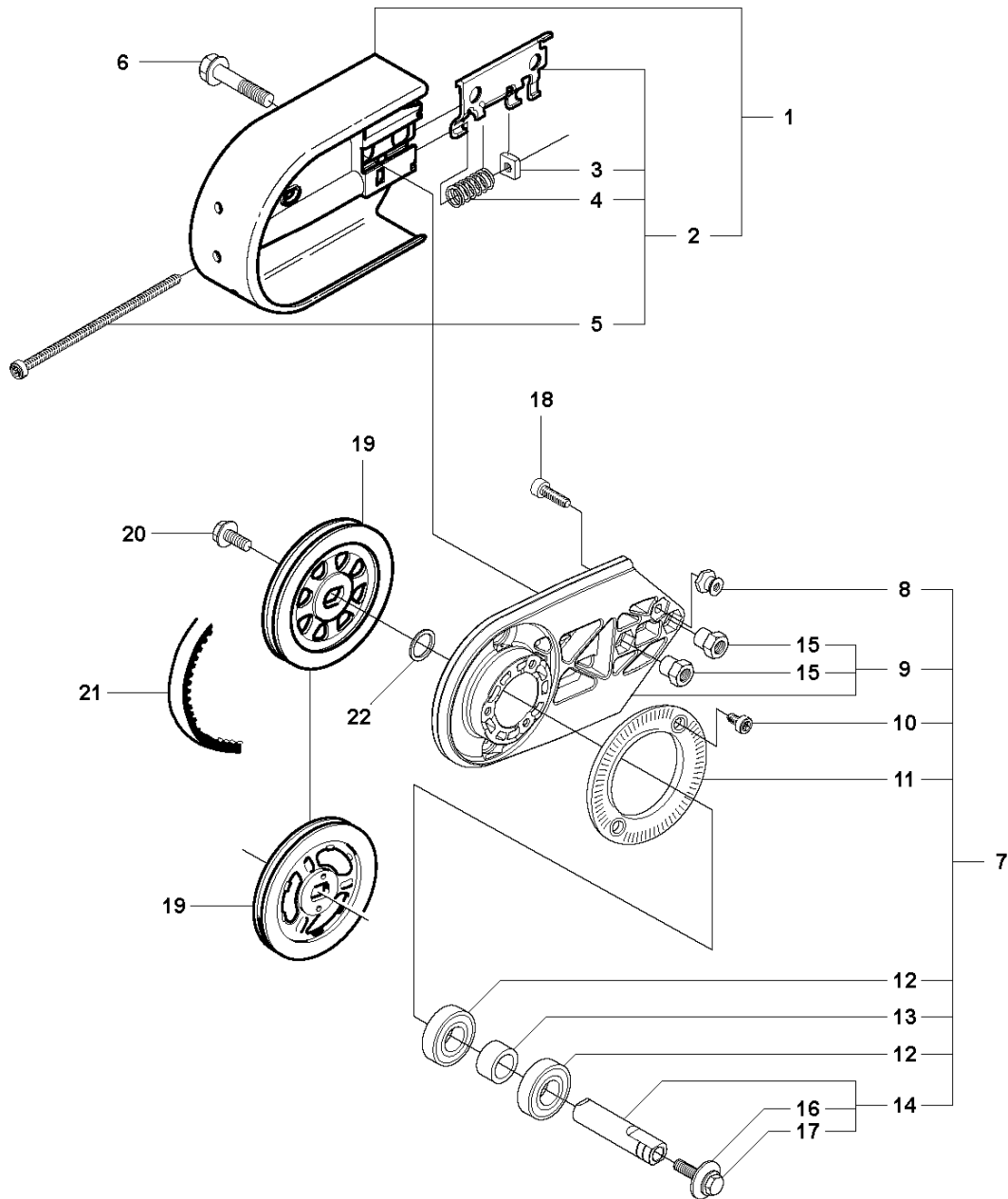


Ref.	Article N.	Description	Qty	Kit
1	506265402	BELT GUARD	1	-
2	503205920	SCREW IHSCFMO	2	-
3	544933101	LABEL	1	-
4	506231402	GEAR WHEEL ASSY	1	-

Ref.	Article N.	Description	Qty	Kit
		<i>12, 14. Incl. 5</i>		
4	506231401	GEAR WHEEL ASSY <i>16. Incl. 5</i>	1	-
5	503253801	NEEDLE BEARING	1	-
6	506285901	SPACING SLEEVE	1	-
7	503701501	CLUTCH ASSY <i>Incl. 8</i>	1	-
8	588421501	CLUTCH SPRING	3	-

BELT GUARD AND PULLEY

A K950 ACTIVE



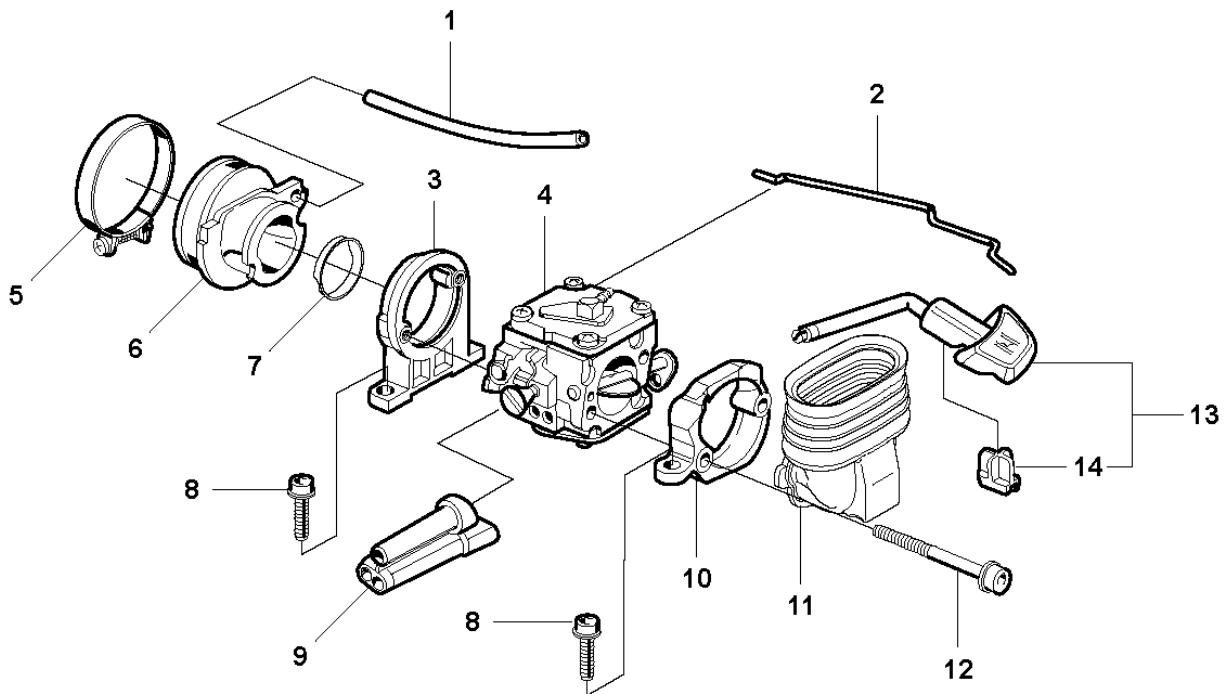
Ref.	Article N.	Description	Qty	Kit
1	506279302	BELT GUARD <i>12, 14. Incl. 2</i>	1	-

Ref.	Article N.	Description	Qty	Kit
1	506279202	BELT GUARD <i>16. Incl. 2</i>	1	-
2	506266601	BELT TENSIONER ASSY <i>Incl. 3, 4, 5</i>	1	-
3	503226601	SQUARE NUT	1	-
4	506266801	COMPRESSION SPRING	1	-
5	503203011	SCREW SLCHM	1	-
6	506284401	SCREW EHHFM	2	-
7	506394211	BEARING HOUSING <i>Incl. 8, 9, 10, 11, 12, 13, 14</i>	1	-
8	506143201	NUT CAP	1	-
9	581351707	BEARING HOUSING <i>Incl 15</i>	1	-
10	503200212	SCREW IHSCFM	2	-
11	506288401	SCREEN	1	-
12	503252101	BALL BEARING	2	-
13	506070801	SPACING SLEEVE	1	-
14	506298363	SHAFT <i>Incl. 16,17</i>	1	-
15	506287301	NUT	2	-
16	506139511	WASHER	1	-
17	506139601	SCREW EHHFM	1	-
18	725532955	SCREW IHSCM	1	-
19	506071802	PULLEY <i>16</i>	1	-
19	506347801	PULLEY <i>12, 14</i>	1	-
20	503200045	SCREW EHHFM	1	-
21	506347423	DRIVE BELT <i>14</i>	1	-
21	506347424	DRIVE BELT <i>16</i>	1	-
21	506372723	DRIVE BELT <i>12</i>	1	-
22	503230104	WASHER	1	-

CARBURETOR



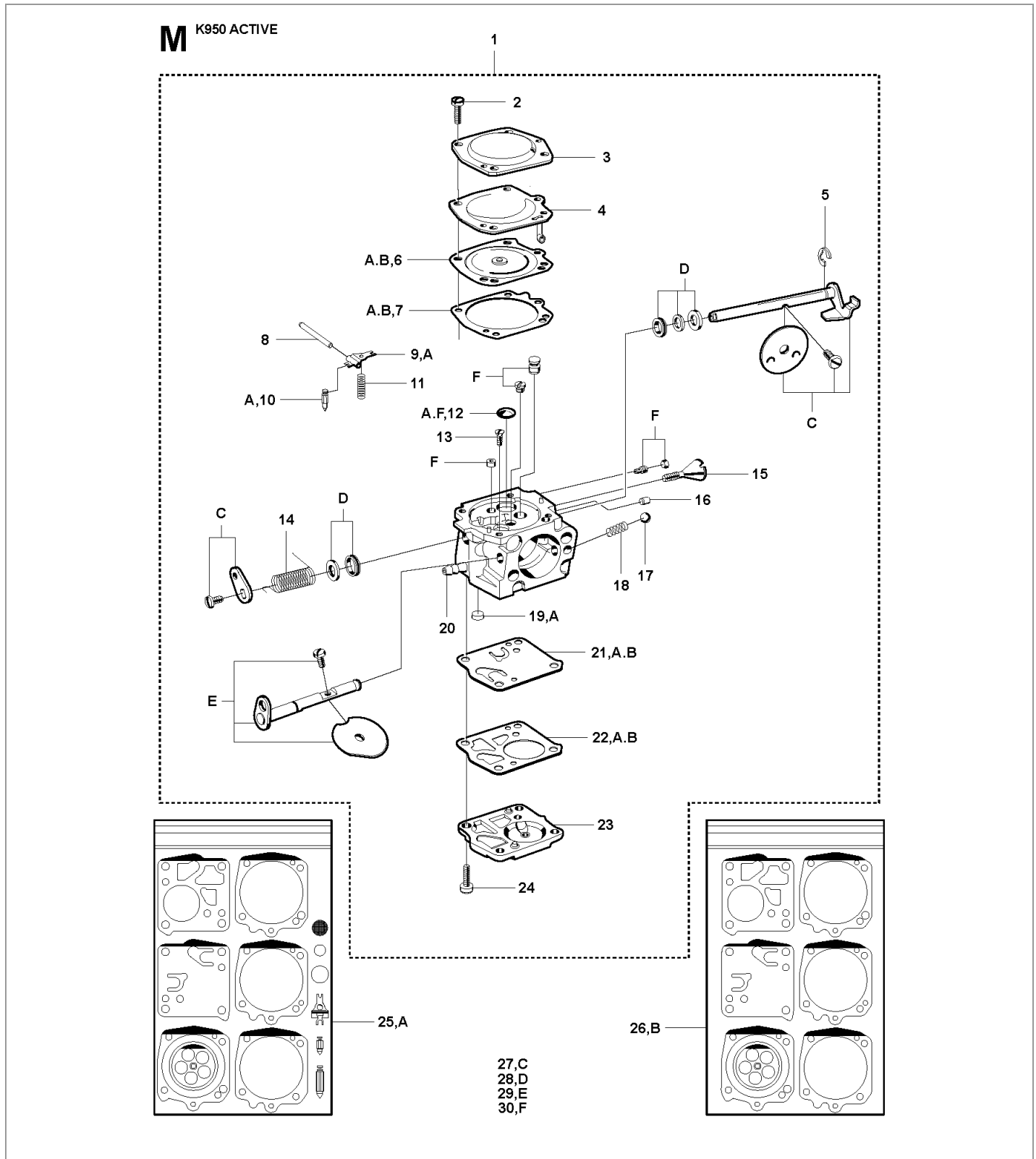
K950 ACTIVE



Ref.	Article N.	Description	Qty	Kit
1	503400607	IMPULSE HOSE	1	-
2	506223101	THROTTLE WIRE	1	-
3	506133501	CARBURETTOR BRACKET	1	-
4	503280402	CARBURETTOR <i>HS 282-A</i>	1	-
5	503560002	HOSE CLAMP	1	-
6	506221901	INLET PIPE	1	-

Ref.	Article N.	Description	Qty	Kit
7	503678001	SUPPORT SLEEVE	1	-
8	503200216	SCREW IHSCFM	2	-
9	506231201	CHISEL GUIDE	1	-
10	506223901	FLANGE	1	-
11	506365201	INLET BEND	1	-
12	503200255	SCREW IHSCFM	2	-
13	506232011	CHOKE	1	-
14	506272501	WEAR PROTECTION	1	-

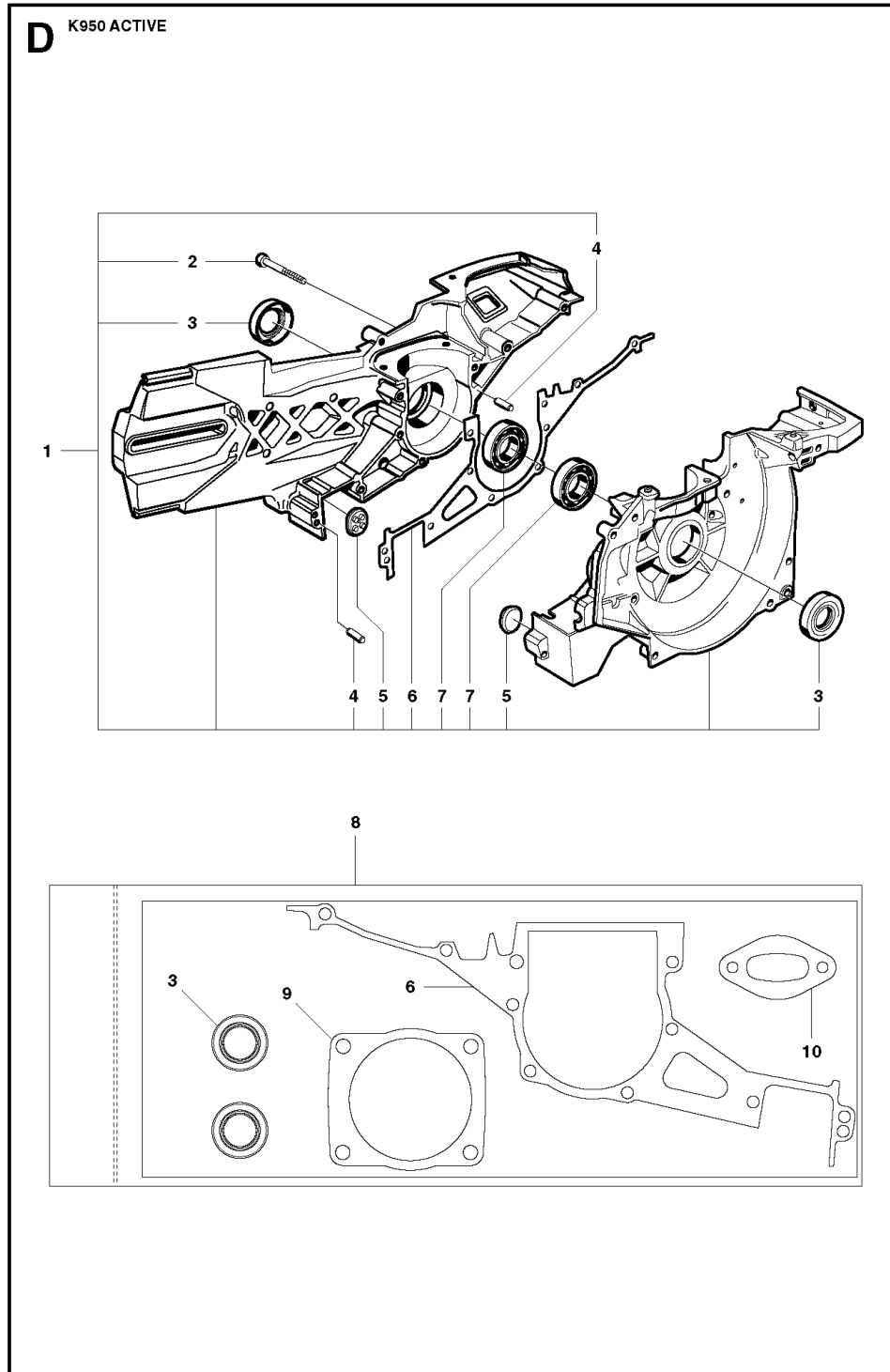
CARBURETOR DETAILS



Ref.	Article N.	Description	Qty	Kit
1	503280402	CARBURETTOR <i>Incl. 2-24</i>	1	-
2	506271401	SCREW	4	-

Ref.	Article N.	Description	Qty	Kit
3	503533601	DIAPHRAGM	1	-
4	506256402	INSERT	1	-
5	501821801	THROTTLE SH.ERING	1	-
6	506258501	DIAPHRAGM <i>A, B</i>	1	-
7	506258401	DIAPHRAGM <i>A, B</i>	1	-
8	501222101	PIN	1	-
9	501222001	LEVER <i>A</i>	1	-
10	505316550	NEEDLE	1	-
11	501222501	SPRING <i>A</i>	1	-
12	501220301	PLUG <i>A, F</i>	1	-
13	501485201	SCREW	1	-
14	506286301	SPRING THROTT.RETURN	1	-
15	503578701	IDLE SPEED SCREW	1	-
16	503578601	BALL	1	-
17	501220401	BALL	1	-
18	501220501	SPRING	1	-
19	503988201	SCREEN	1	-
20	503533901	TUBE CONNECTOR <i>A</i>	1	-
21	501221201	DIAGRAM <i>A, B</i>	1	-
22	501221301	GASKET <i>A, B</i>	1	-
23	506286801	FUEL PUMP COVER	1	-
24	501221501	SCREW	4	-
25	506276301	REPAIR KIT <i>Incl. 6, 7, 9, 11, 12, 20, 21, 22</i>	1	-
26	506258801	DIAPHRAGM <i>Incl. 6, 7, 21, 22</i>	1	-
27	506290901	THROTTLE SHAFT(KIT) <i>Kit C</i>	1	-
28	506291001	SEALING, KIT <i>Kit D</i>	1	-
29	506291101	CHOKE SHAFT (KIT) <i>Kit E</i>	1	-
30	506291301	JET <i>Kit F</i>	1	-

CRANKCASE

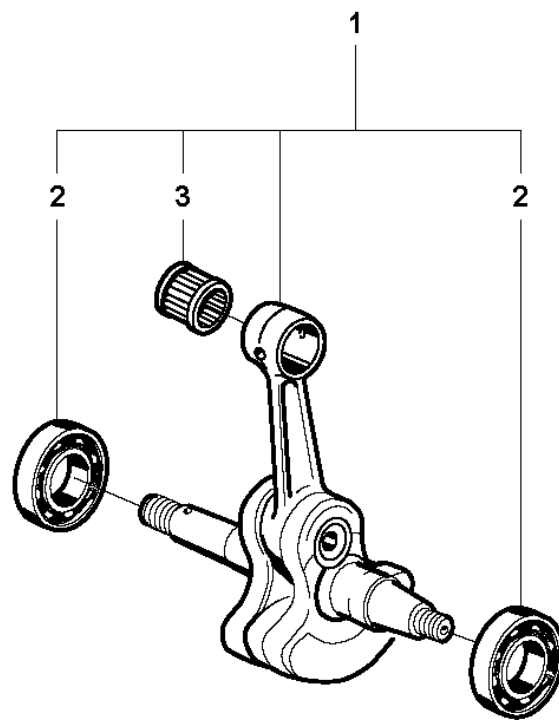


Ref.	Article N.	Description	Qty	Kit
1	506233307	CRANKCASE ASSY <i>Incl. 2, 3, 4, 5, 6, 7</i>	1	-
2	725534055	SCREW IHSCM	9	-

Ref.	Article N.	Description	Qty	Kit
3	503260205	SEALING RING <i>Gasket kit 8</i>	2	-
4	720130710	PARALLEL PIN	2	-
5	506273101	BUFFER	2	-
6	506232401	GASKET <i>Gasket kit 8</i>	1	-
7	503250002	BALL BEARING	2	-
8	506290504	GASKET KIT	1	-
9	506158201	GASKET	1	-
10	506378101	GASKET	1	-

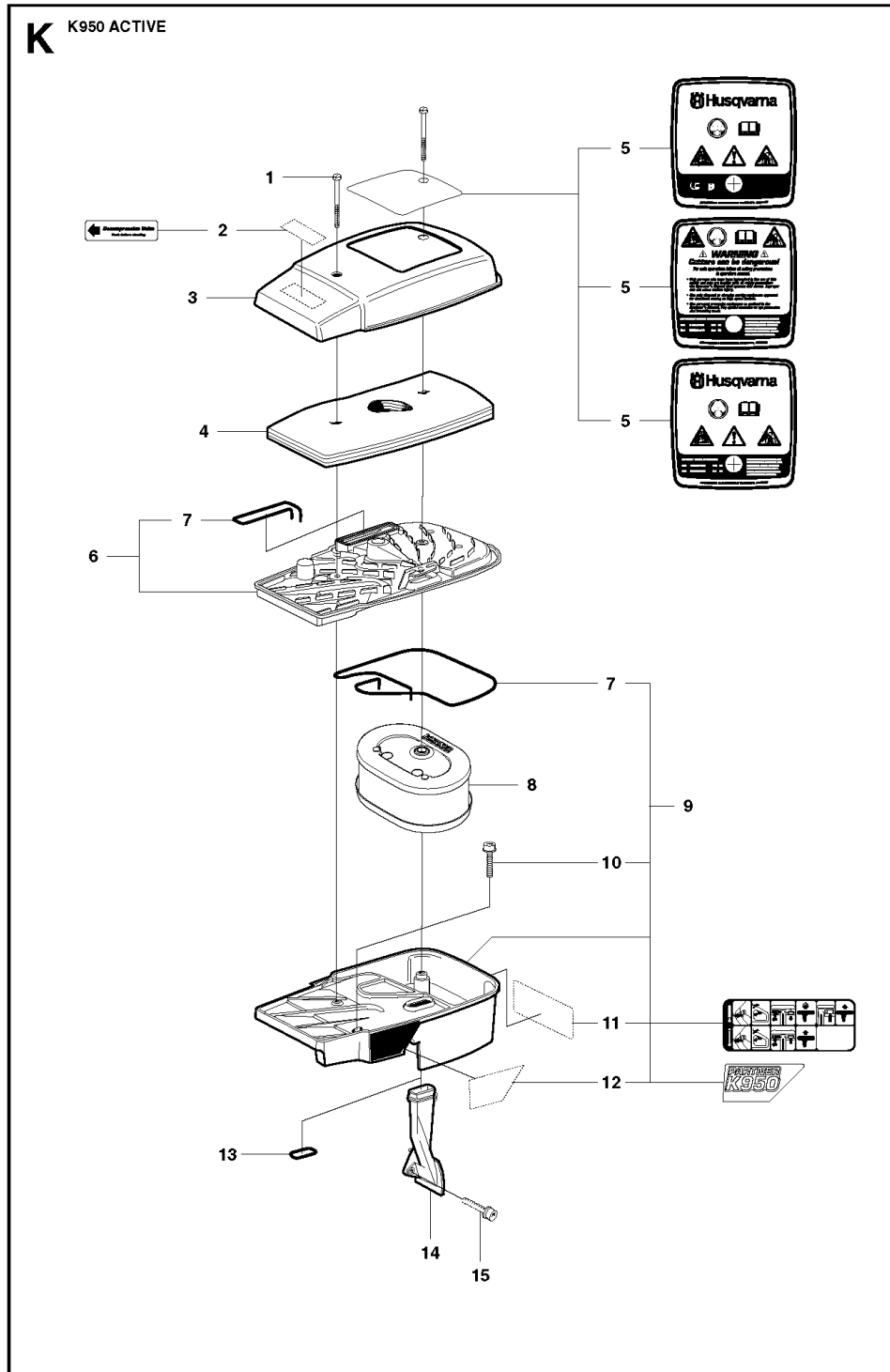
CRANKSHAFT

F K950 ACTIVE



Ref.	Article N.	Description	Qty	Kit
1	503782674	CRANKSHAFT ASSY <i>Incl. 2, 3</i>	1	-
2	503250002	BALL BEARING	2	-
3	503256101	NEEDLE BEARING	1	-

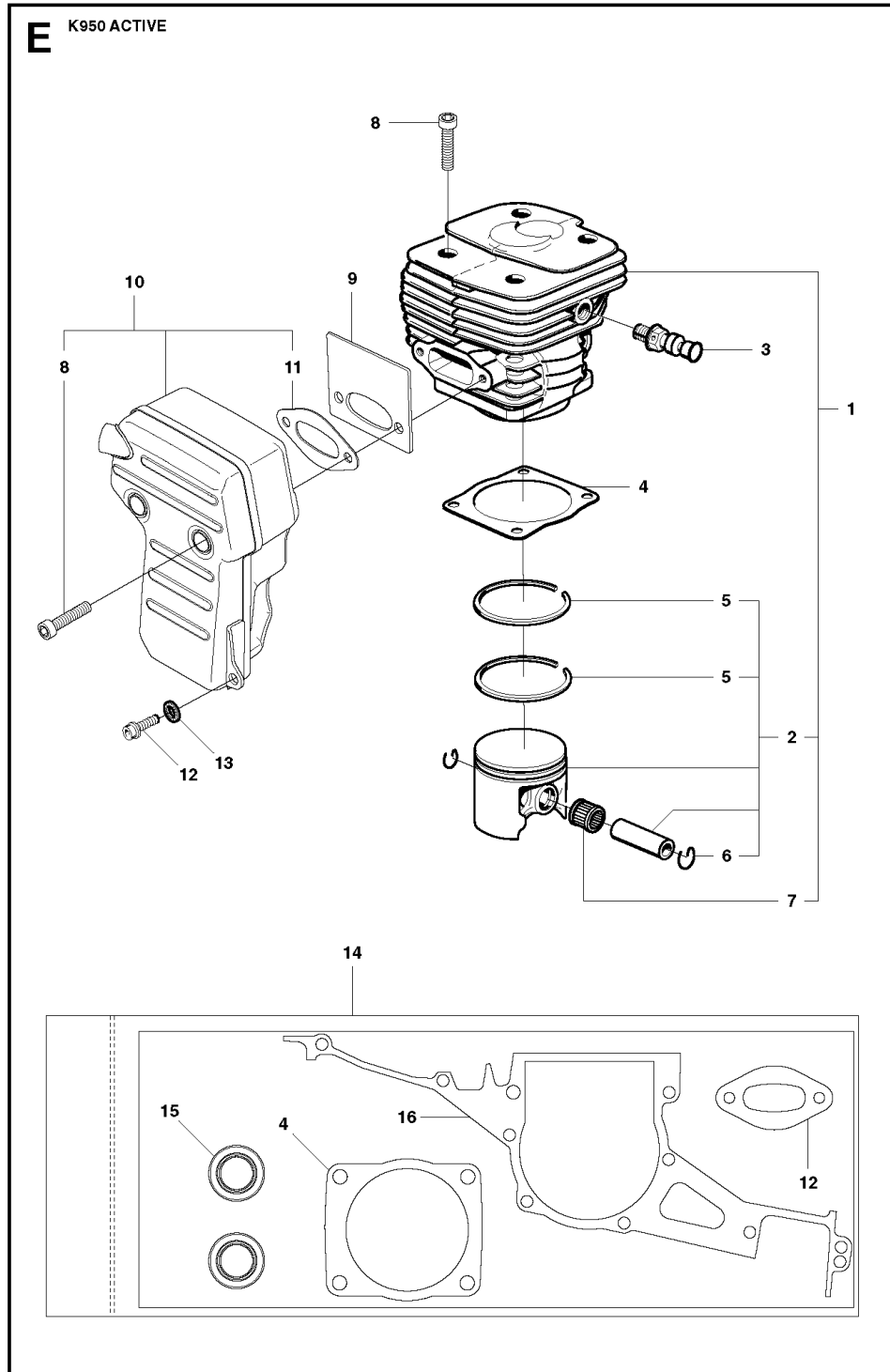
CYLINDER COVER



Ref.	Article N.	Description	Qty	Kit
1	503203442	SCREW CCRPANMO	2	-
2	544874601	LABEL	1	-

Ref.	Article N.	Description	Qty	Kit
3	506221702	COVER	1	-
4	506231901	PREFILTER	1	-
5	544874401	LABEL <i>EPA USA</i>	1	-
5	544874402	LABEL <i>CE</i>	1	-
5	544874403	LABEL <i>EPA Canada</i>	1	-
6	506221815	FILTER BOTTOM <i>Incl. 7</i>	1	-
7	506283930	SEALING	2	-
8	506347002	AIR FILTER	1	-
9	544891403	CYLINDER COVER ASSY <i>Incl. 7, 10, 11, 12</i>	1	-
10	503200230	SCREW IHSCFM	3	-
11	506243902	LABEL	1	-
12	544890705	LABEL	1	-
13	740482003	O-RING	1	-
15	503200216	SCREW IHSCFM	1	-
17	506229401	AIR NOZZLE	1	-

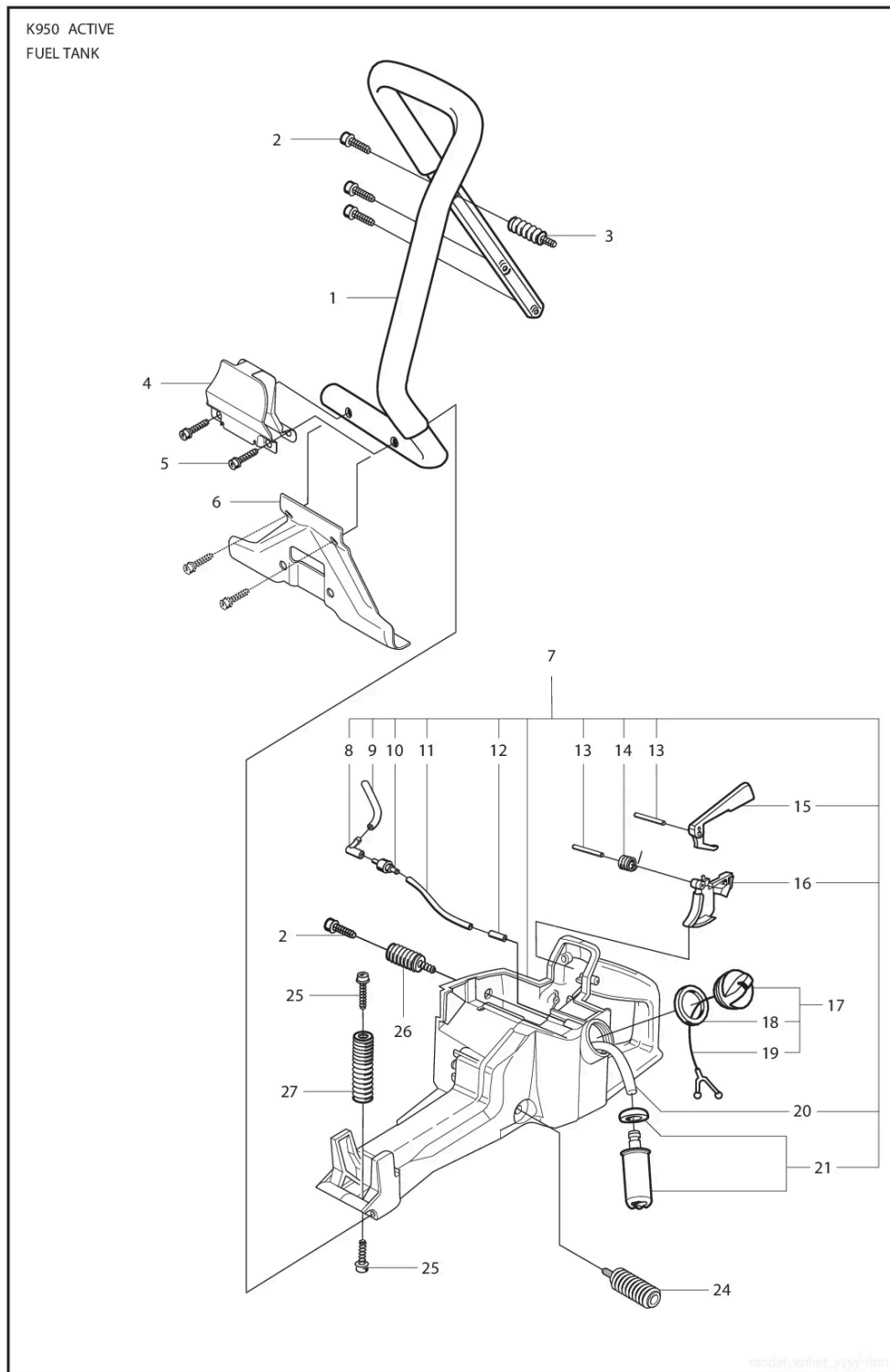
CYLINDER, PISTON AND MUFFLER



Ref.	Article N.	Description	Qty	Kit
1	506155506	CYLINDER ASSY <i>Incl. 2, 7</i>	1	-

Ref.	Article N.	Description	Qty	Kit
2	506155602	PISTON ASSY <i>Incl. 5, 6</i>	1	-
3	503665601	DECOMPRESSION VALVE	1	-
4	506158201	GASKET <i>Gasket kit 14</i>	1	-
5	503289024	PISTON RING	2	-
6	737441300	CIRCLIP	2	-
7	503256101	NEEDLE BEARING	1	-
8	725537255	SCREW IHSCM	6	-
9	506169101	HEAT DEFLECTOR	1	-
10	506372802	MUFFLER ASSY <i>Incl. 8, 12</i>	1	-
11	506378101	GASKET <i>Gasket kit 14</i>	1	-
12	503200216	SCREW IHSCFM	1	-
13	503230402	WASHER	1	-
14	506290504	GASKET KIT	1	-
15	503260205	SEALING RING	2	-
16	506232401	GASKET	1	-

FUEL TANK AND HANDLE

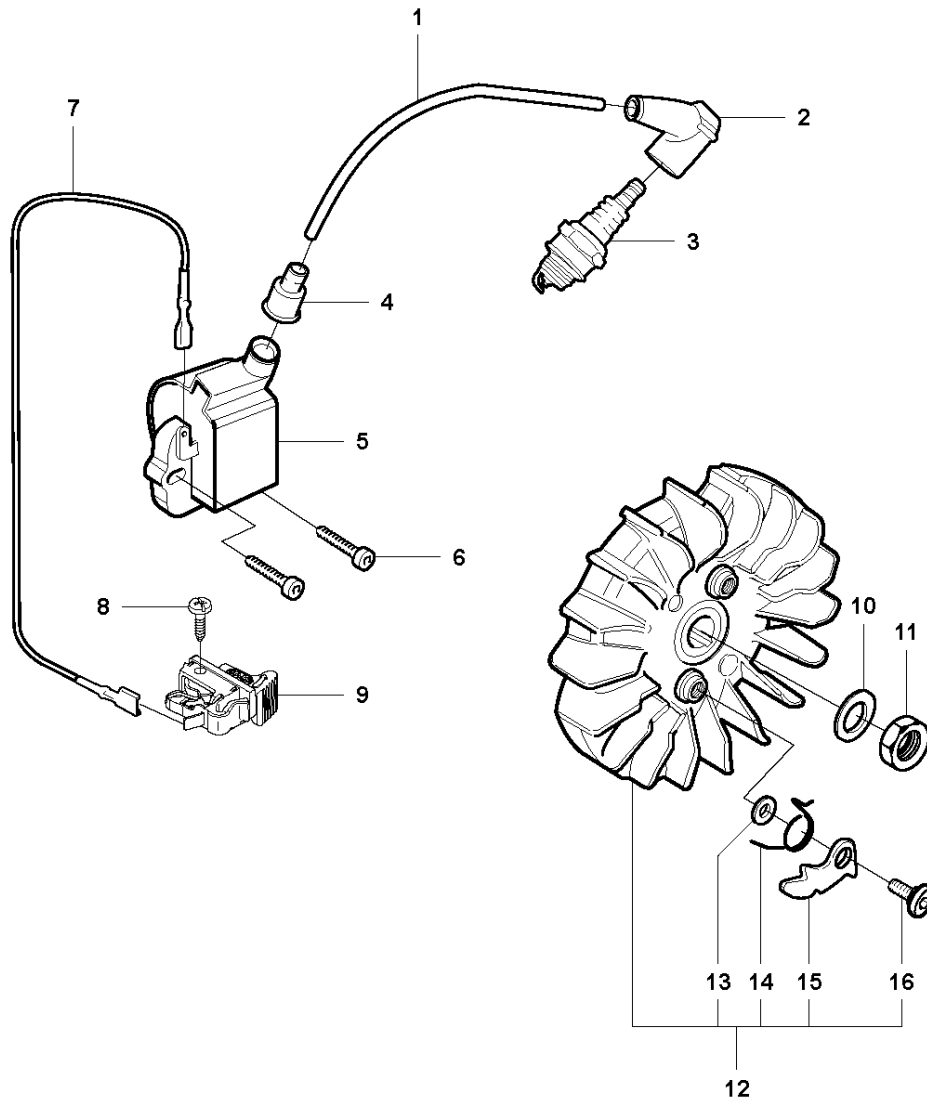


Ref.	Article N.	Description	Qty	Kit
1	506231302	FRONT HANDLE	1	-
2	503210522	SCREW IHSTC	4	-

Ref.	Article N.	Description	Qty	Kit
3	506285301	ANTIVIBRATION ELEMENT	1	-
4	506297901	PROTECTIVE PLATE	1	-
5	503210545	SCREW IHSCT	2	-
6	506233001	GROUND SUPPORT <i>14, 16</i>	1	-
7	544892010	FUEL TANK <i>Incl. 8 - 16, 20, 21</i>	1	-
8	503454601	CONNECTION BEND	1	-
9	581756106	FUEL HOSE	1	-
10	506236101	TANK VENT	1	-
11	581756132	FUEL HOSE	1	-
12	506289501	NIPPLE	1	-
13	720124020	PARALLEL PIN	2	-
14	506222901	SPRING THROTTLE TRIG	1	-
15	577325003	THROTTLE LOCKOUT	1	-
16	506222703	TRIGGER	1	-
17	506255906	TANK CAP ASSY <i>Incl. 18, 19</i>	1	-
18	506292101	GASKET	1	-
19	503578901	HOLDER	1	-
20	581756202	FUEL HOSE	1	-
21	598836601	FUEL FILTER KIT	1	-
22	506271101	HOSE CLAMP <i>Included in 21</i>	1	-
23	506264101	FUEL FILTER <i>Included in 21</i>	1	-
24	544383101	SPRING	1	-
25	503200216	SCREW IHSCFM	2	-
26	506237502	ANTIVIBRATION ELEMENT	1	-
27	503468501	ANTIVIBRATION ELEMENT	1	-

IGNITION SYSTEM

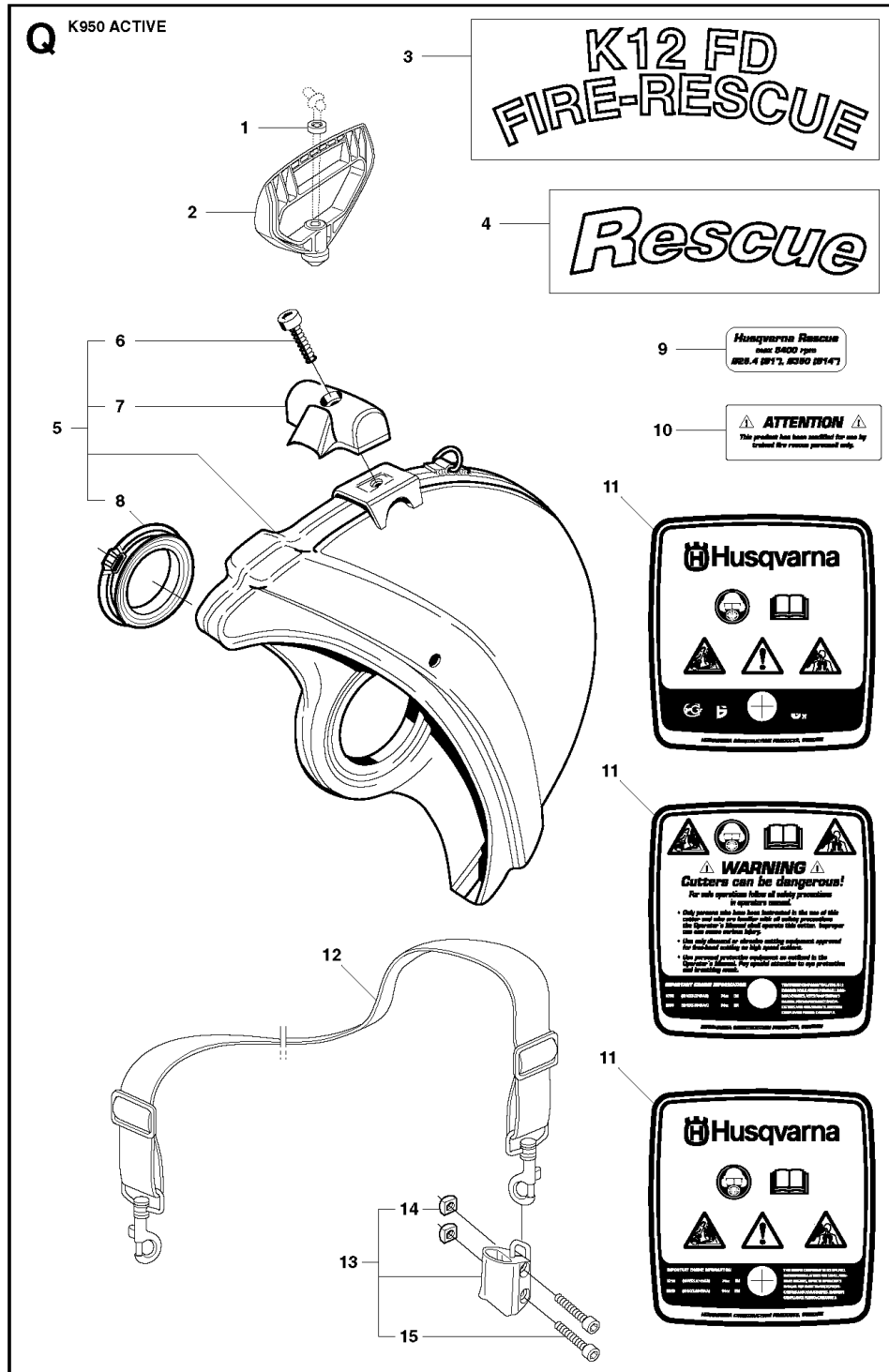
J K950 ACTIVE



Ref.	Article N.	Description	Qty	Kit
1	506387834	IGNITION CABLE	1	-
2	501485402	SPARK PLUG CAP	1	-

Ref.	Article N.	Description	Qty	Kit
3	503235111	SPARK PLUG <i>RCJ 7Y</i>	1	-
4	505277516	CABLE SLEEVE	1	-
5	544018801	IGNITION SYSTEM	1	-
6	503202520	SCREW IHSCM	2	-
7	501839801	CABLE	1	-
8	503212806	SCREW CCRPANT	1	-
9	506318602	STOP SWITCH	1	-
10	503230101	WASHER	1	-
11	503221011	HEXAGON NUT	1	-
12	506272701	FLYWHEEL <i>Incl. 13, 14, 15, 16</i>	1	-
13	503230042	WASHER	2	-
14	501634801	SPRING	2	-
15	501673203	PAWL	2	-
16	501819901	SCREW	2	-

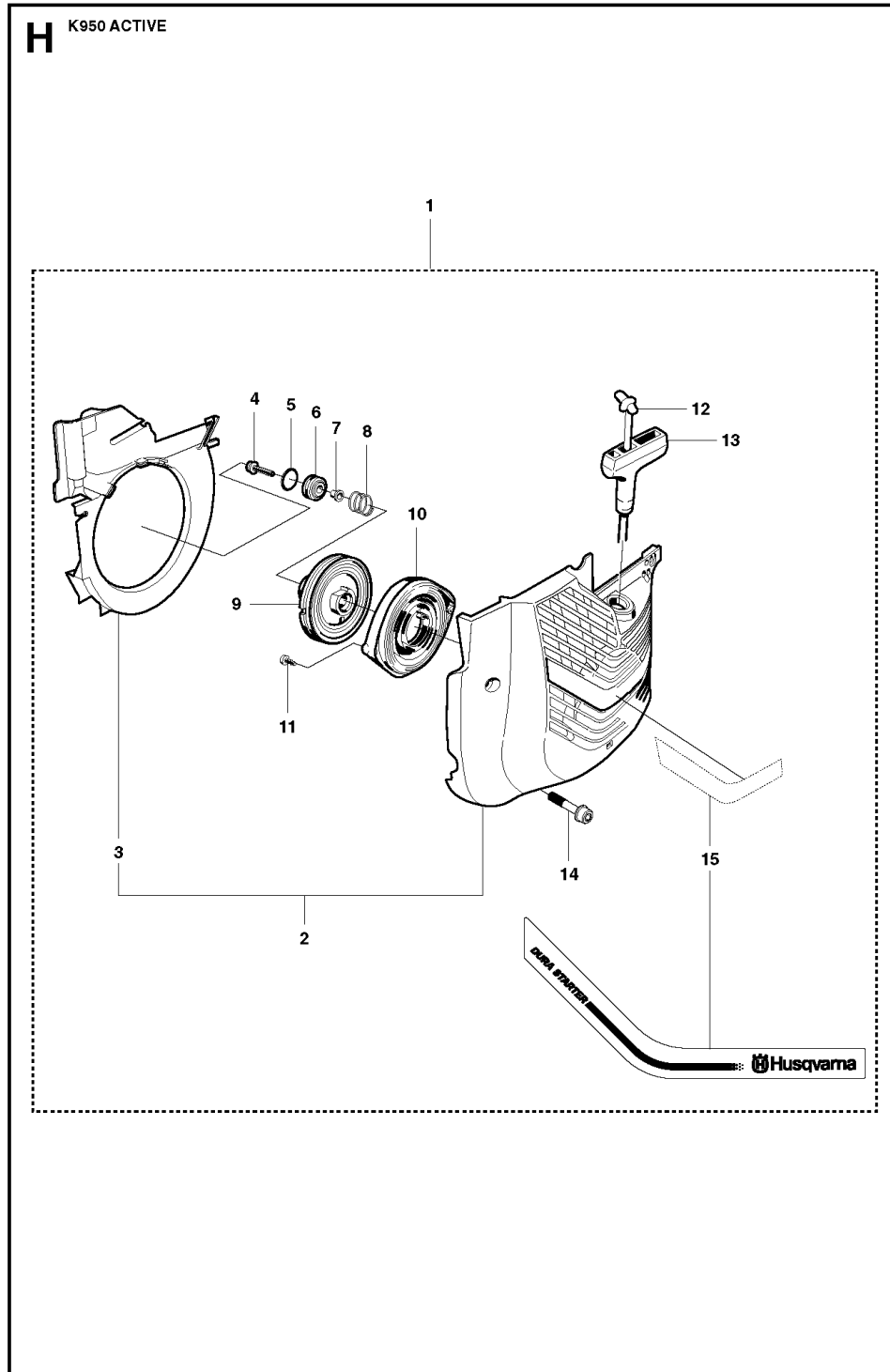
RESCUE



Ref.	Article N.	Description	Qty	Kit
1	503142902	WASHER	1	-
2	506297501	STARTER HANDLE	1	-

Ref.	Article N.	Description	Qty	Kit
3	506322002	LABEL	1	-
4	506302302	LABEL	1	-
5	506340524	WHEEL GUARD ASSY <i>Rescue 14. Incl. 6, 7, 8</i>	1	-
6	725533155	SCREW IHSCM	1	-
7	506344602	HANDLE	1	-
8	506266302	LINING	2	-
9	544890601	LABEL	1	-
10	506322202	LABEL	1	-
11	544874401	LABEL <i>EPA USA</i>	1	-
11	544874402	LABEL <i>CE</i>	1	-
11	544874403	LABEL <i>EPA Canada</i>	1	-
12	506297601	SHOULDER STRAP	1	-
13	506302503	BRACKET <i>Incl. 14, 15</i>	1	-
14	503226504	SQUARE NUT	2	-
15	503200216	SCREW IHSCFM	2	-

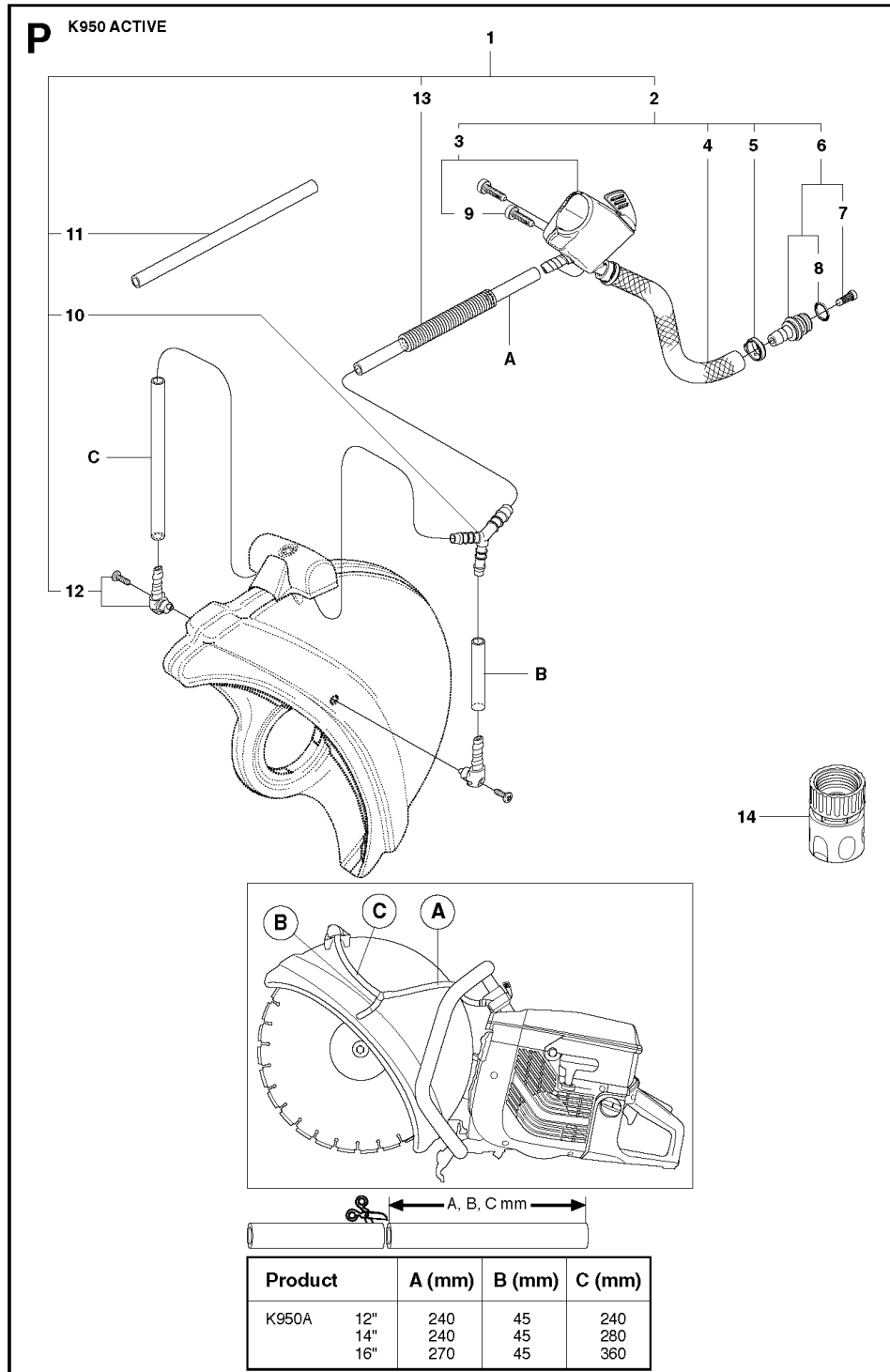
STARTER



Ref.	Article N.	Description	Qty	Kit
1	506235911	STARTER <i>Incl. 2 - 15</i>	1	-

Ref.	Article N.	Description	Qty	Kit
2	506337203	STARTER COVER <i>Incl. 3</i>	1	-
3	506222202	AIR CONDUCTOR	1	-
4	503216722	SCREW IHSCFT	1	-
5	740431300	O-RING	1	-
6	506251401	GROMMET	1	-
7	506263101	SPACING SLEEVE	1	-
8	506253001	COMPRESSION SPRING	1	-
9	506258102	STARTER PULLEY	1	-
10	596293101	RECOIL SPRING	1	-
11	503212810	SCREW CCRPANT	2	-
12	506335615	CORD	1	-
12	506335650	STARTER ROPE <i>50 m. coil</i>	1	-
13	503127901	STARTER HANDLE	1	-
14	503205920	SCREW IHSCFMO	4	-
15	506272302	LABEL	1	-

WATER HOSE KIT

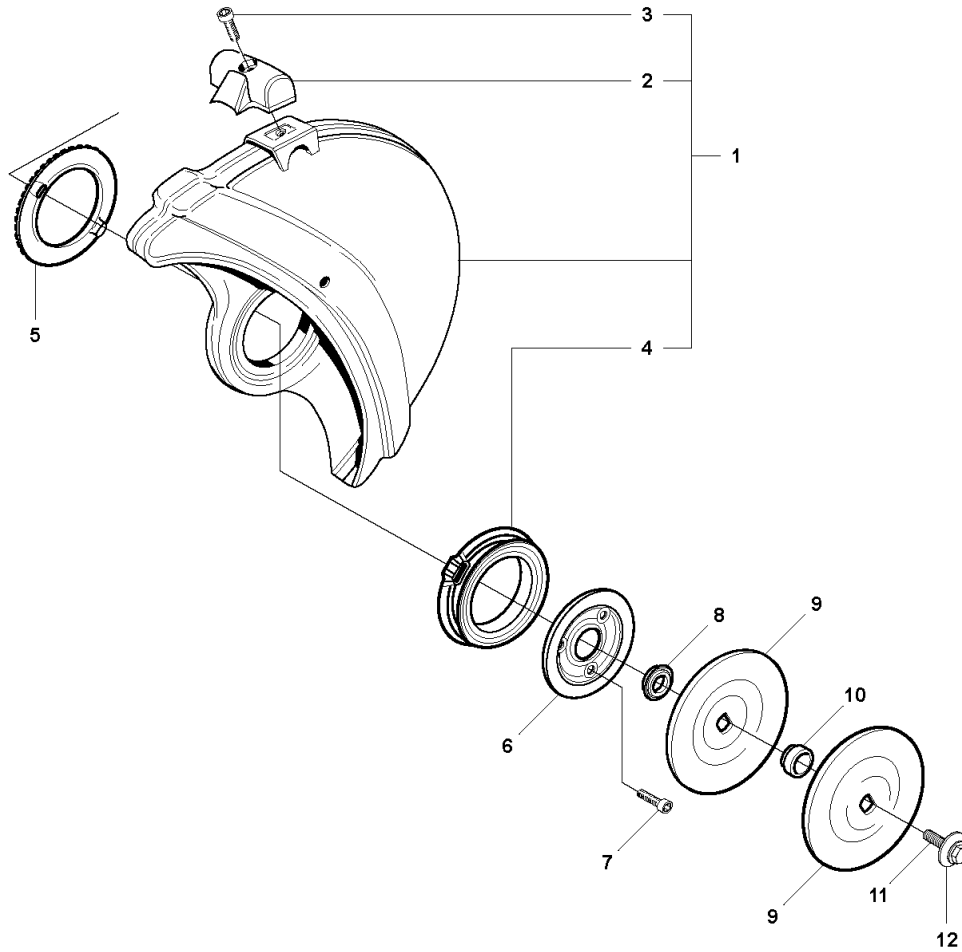


Ref.	Article N.	Description	Qty	Kit
1	544003103	HOSE KIT <i>Incl. 2, 10, 11, 12, 13</i>	1	-

Ref.	Article N.	Description	Qty	Kit
2	506385904	HOSE ASSY <i>Incl. 3, 4, 5, 6</i>	1	-
3	506317731	VALVE ASSY <i>Incl. 9</i>	1	-
4	506097502	HOSE <i>L=230mm</i>	1	-
5	506095602	HOSE CLAMP	2	-
6	506295702	NIPPLE <i>Incl. 7</i>	1	-
7	506298801	FILTER	1	-
8	503263021	O-RING	1	-
9	503210619	SCREW IHSCT	2	-
10	506328701	Y-TUBE	1	-
11	506095824	HOSE <i>800mm</i>	1	-
12	506295601	NIPPLE	2	-
13	506352701	PROTECTIVE SPRING	1	-
14	503266001	COUPLER	1	-

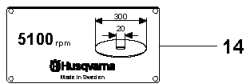
WHEELS AND TIRES

B K950 ACTIVE



13

- Read the manual for the machine before using the tool.
- The machine must not be used before the label is removed and the correct speed is reached.
- Always wear eye and ear protection and use the correct safety equipment.
- Do not touch the hot surfaces of the machine or the blade during operation.



Ref.	Article N.	Description	Qty	Kit
1	506340502	BLADE GUARD <i>12. Incl. 2, 3, 4</i>	1	-

Ref.	Article N.	Description	Qty	Kit
1	506340504	WHEEL GUARD <i>14. Incl. 2, 3, 4</i>	1	-
1	506340506	GUARD <i>16. Incl. 2, 3, 4</i>	1	-
2	506344601	HANDLE	1	-
3	725533155	SCREW IHSCM	1	-
4	506266302	LINING	1	-
5	506266401	SCREEN	1	-
6	506266501	FLANGE	1	-
7	725532955	SCREW IHSCM	3	-
8	506324801	SUPPORT FLANGE	1	-
9	506028701	FLANGE WASHER <i>Diam. 105</i>	2	-
9	506070901	FLANGE WASHER <i>Diam. 119</i>	2	-
10	506379622	BUSHING <i>Diam. 22,2</i>	1	-
10	506379625	KIT <i>Diam. 25,4</i>	1	-
10	506379620	KIT <i>Diam. 20</i>	1	-
10	506028830	BUSHING <i>Diam. 30,5</i>	1	-
11	506139601	SCREW EHHFM	1	-
12	506139511	WASHER	1	-
13	505397513	LABEL	1	-
14	506284124	LABEL <i>16, Diam. 25,4 mm</i>	1	-
14	506284122	LABEL <i>16, Diam. 20 mm</i>	1	-
14	506284114	LABEL <i>14, Diam. 25,4 mm</i>	1	-
14	506284112	LABEL <i>14, Diam 20 mm</i>	1	-
14	506284104	LABEL <i>12, Diam. 25,4 mm</i>	1	-
14	506284102	LABEL <i>12, Diam. 20 mm</i>	1	-