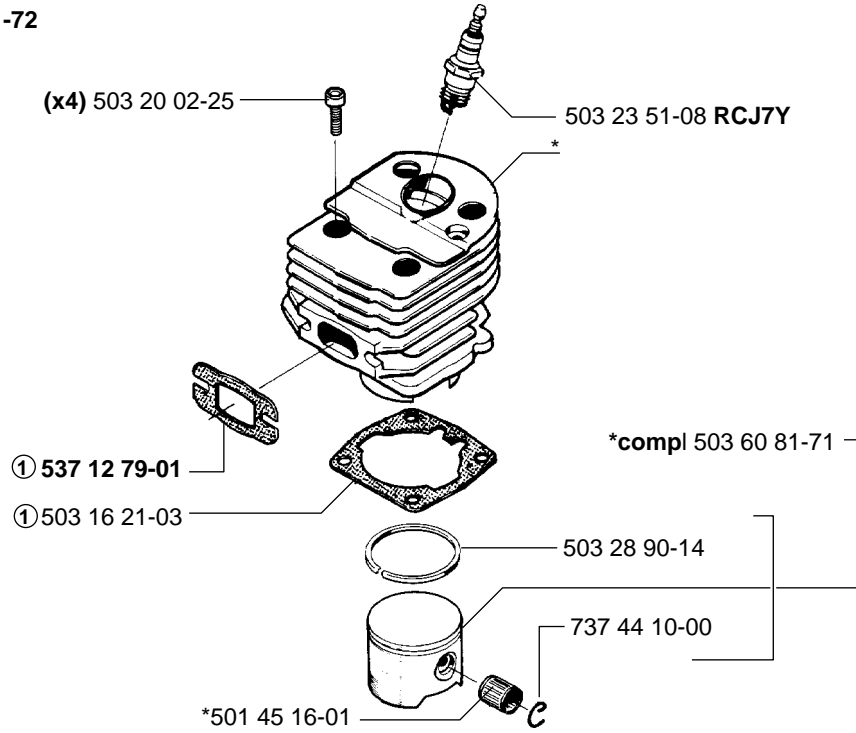


# 55 Rancher EPA

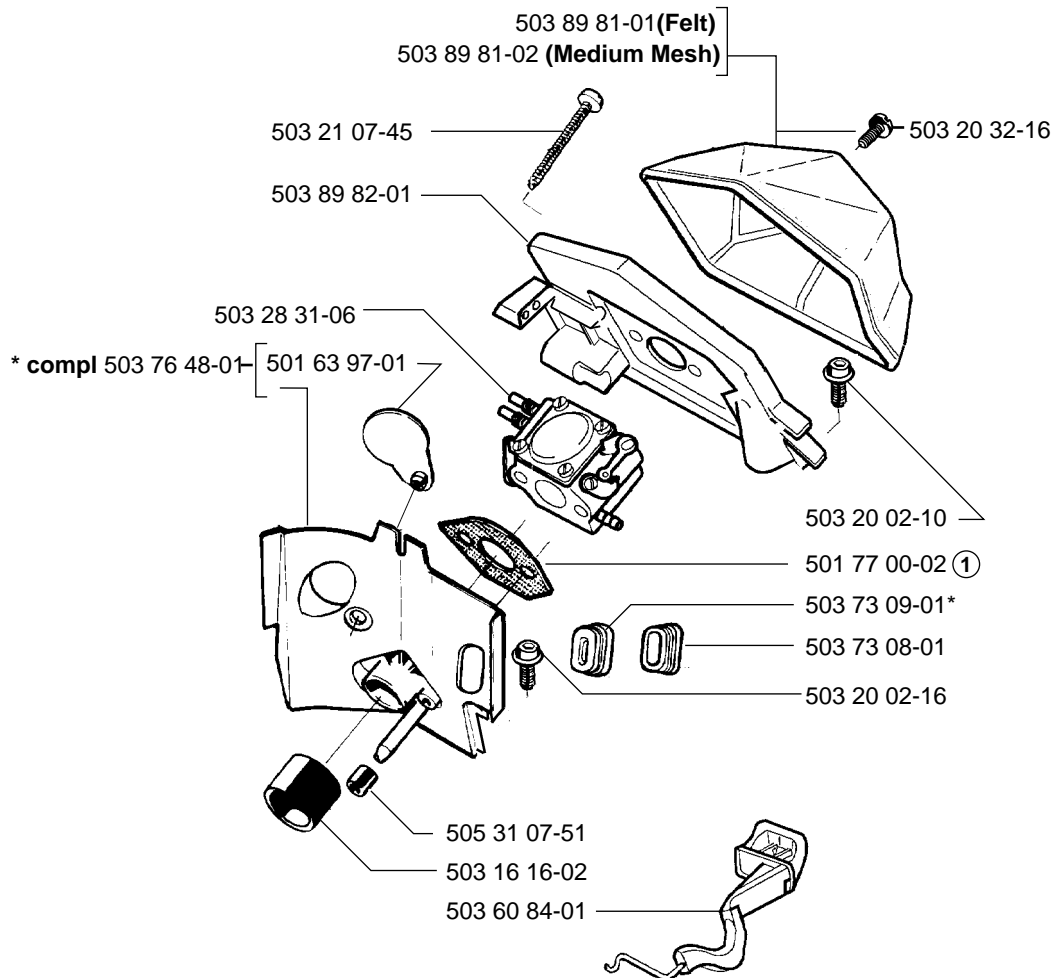
|                           |           |              |
|---------------------------|-----------|--------------|
| <b>Spare parts</b>        | Replaces  |              |
| <b>Ersatzteile</b>        | Ersetzt   |              |
| <b>Pièces détachées</b>   | Remplace  |              |
| <b>Reserve onderdelen</b> | Vervangt  |              |
| <b>Repuestos</b>          | Reemplaza |              |
| <b>Reservdelar</b>        | Ersätter  | 106 25 19-61 |

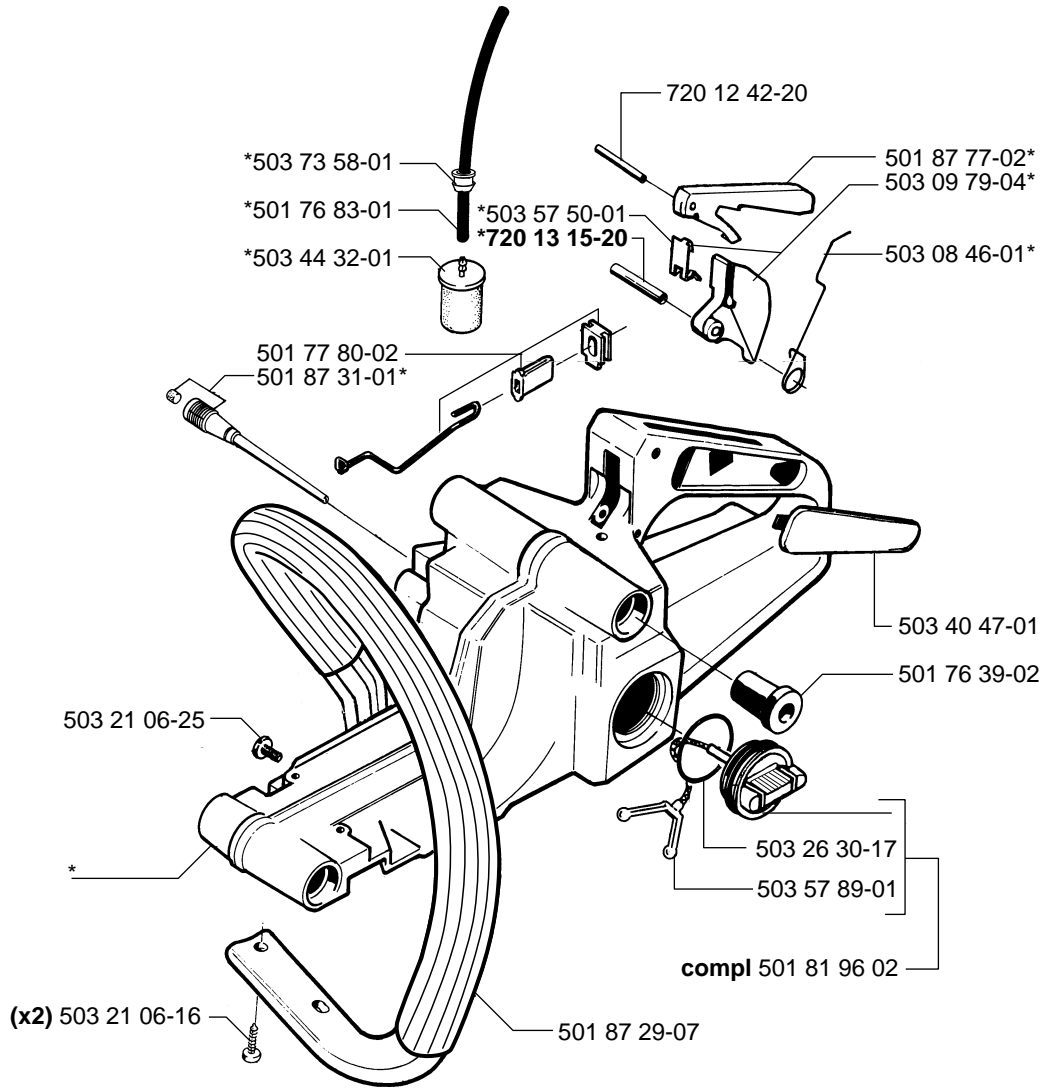
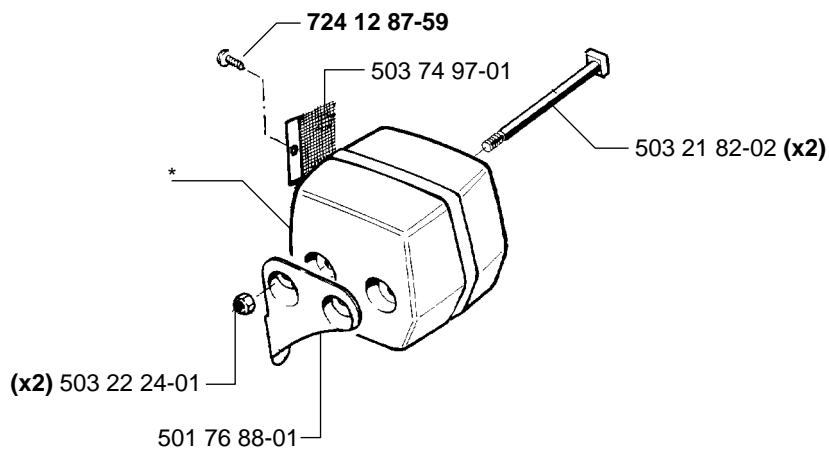
# C

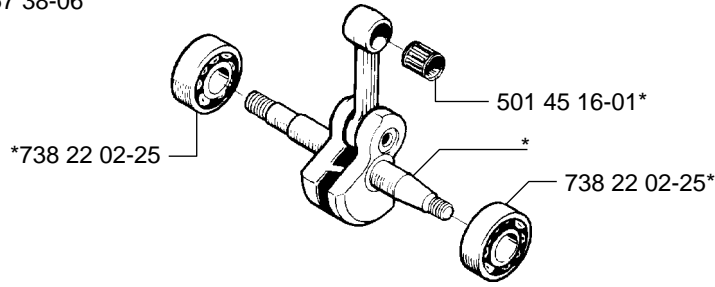
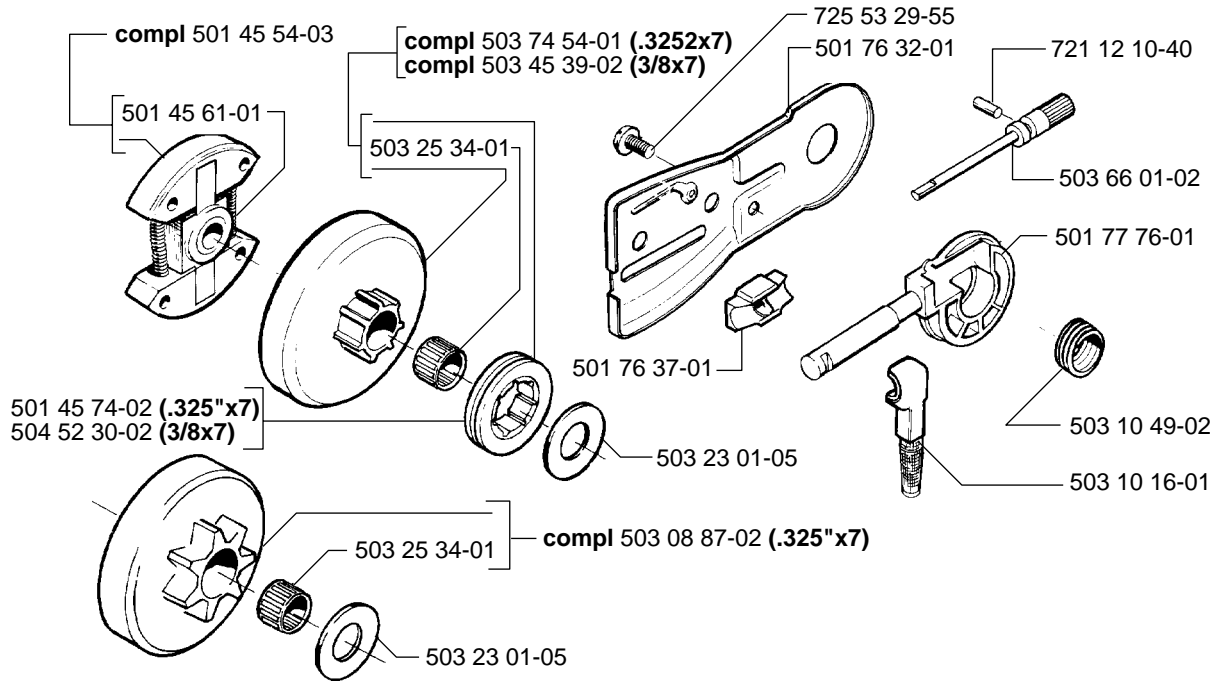
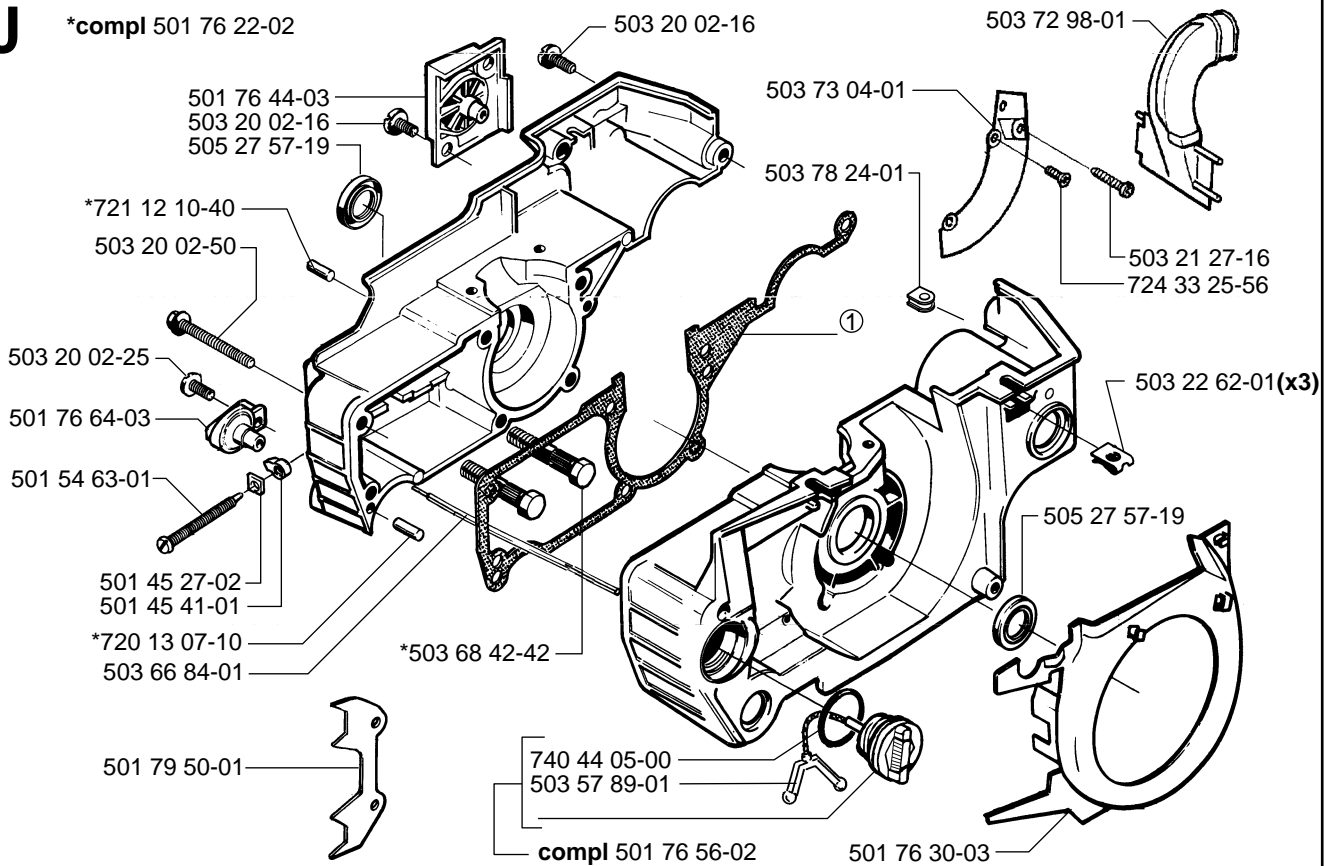
\*compl 503 60 91-72



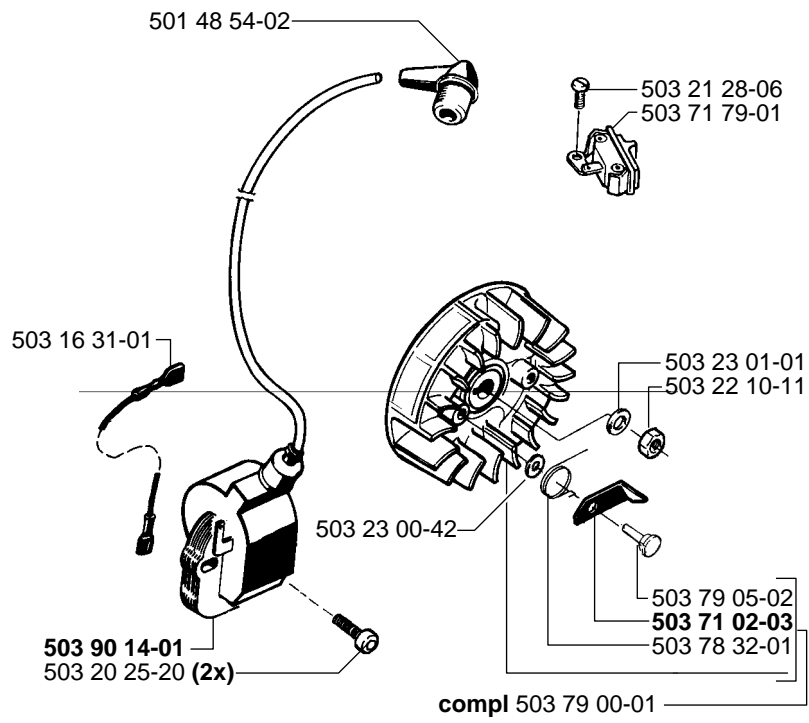
# D



**E****\*compl 501 76 13-10****F****\*compl 503 74 91-01 (FF)**

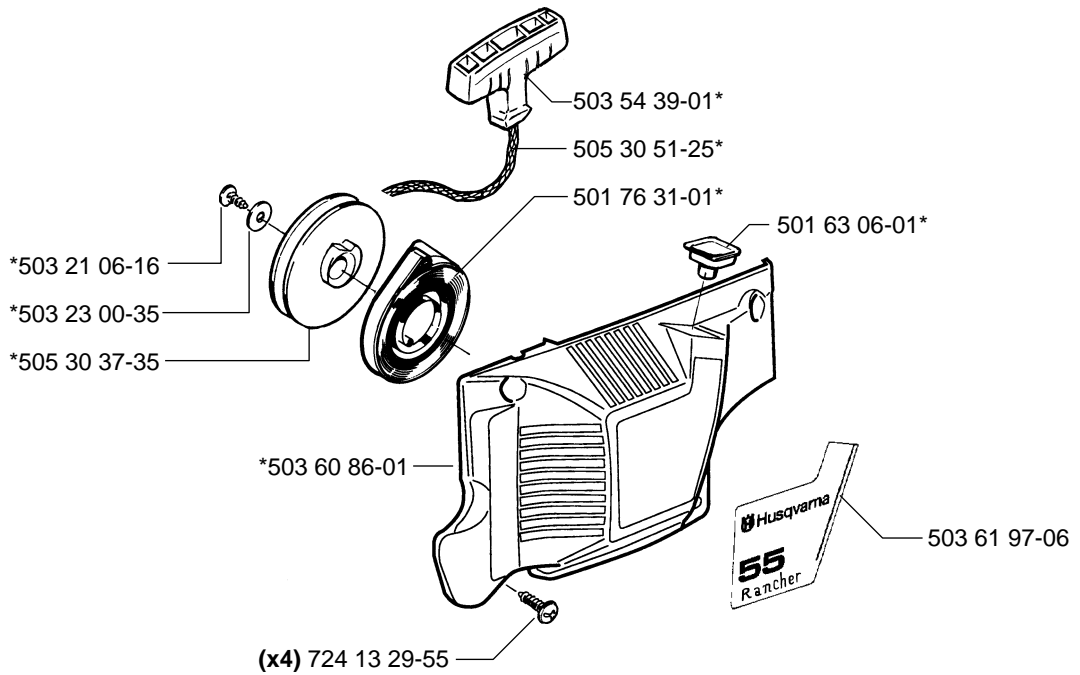
**G****\*compl 503 57 38-06****H****J****\*compl 501 76 22-02**

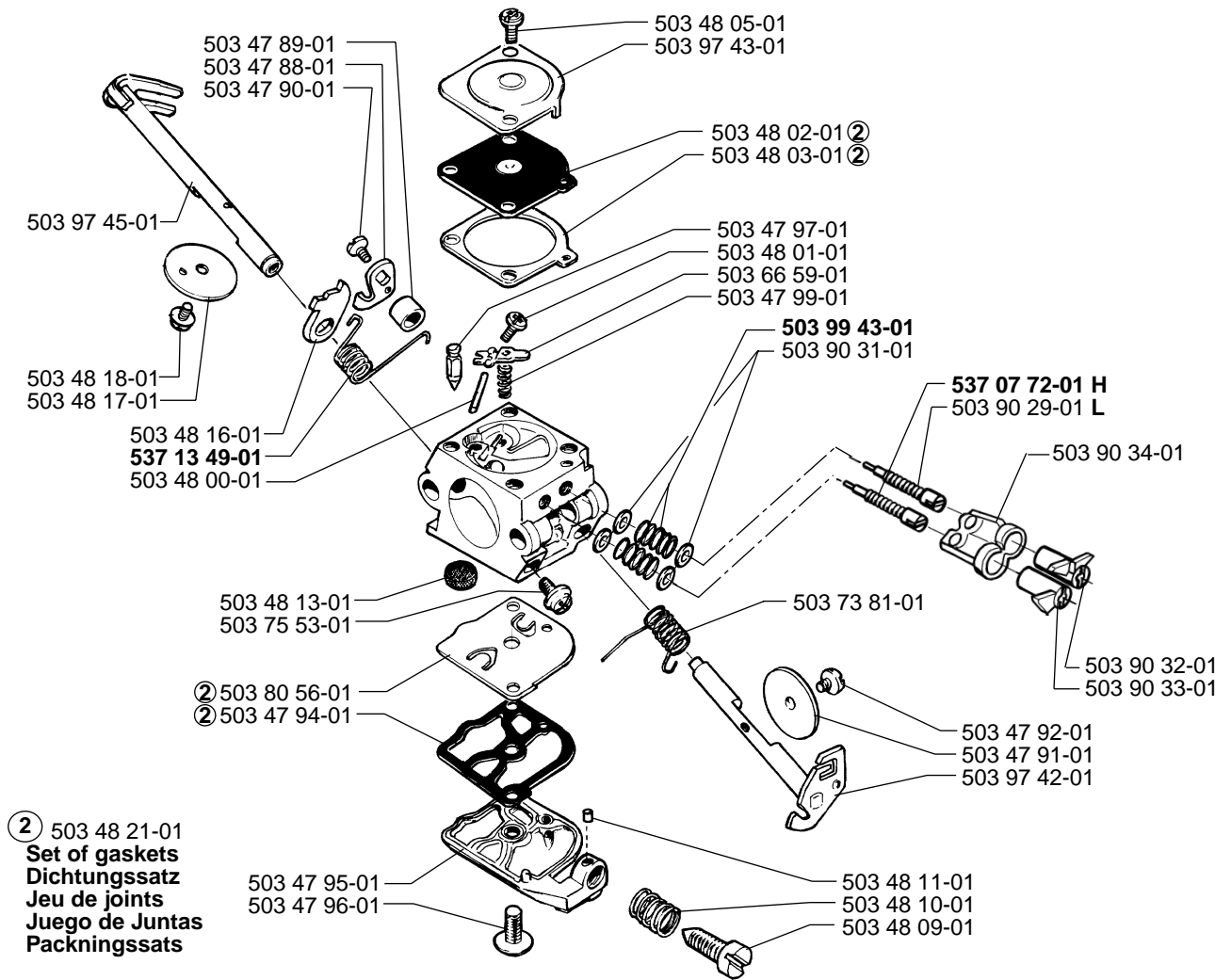
# K



# L

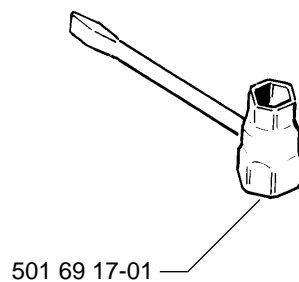
\*compl 503 60 88-03





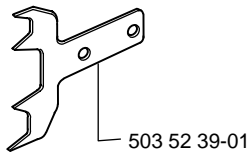
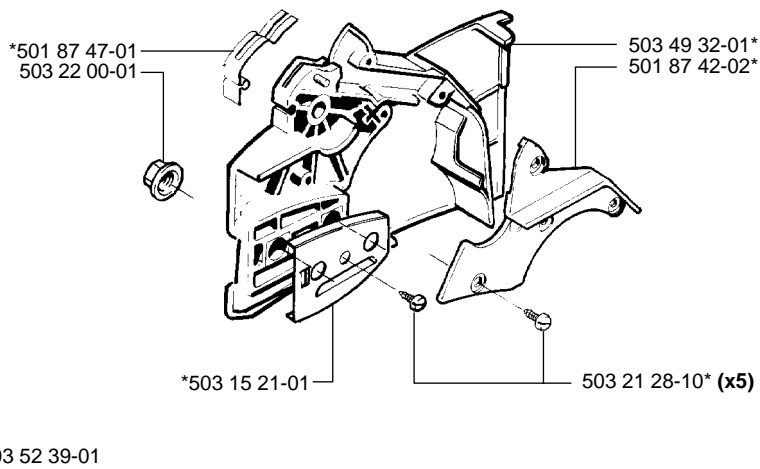
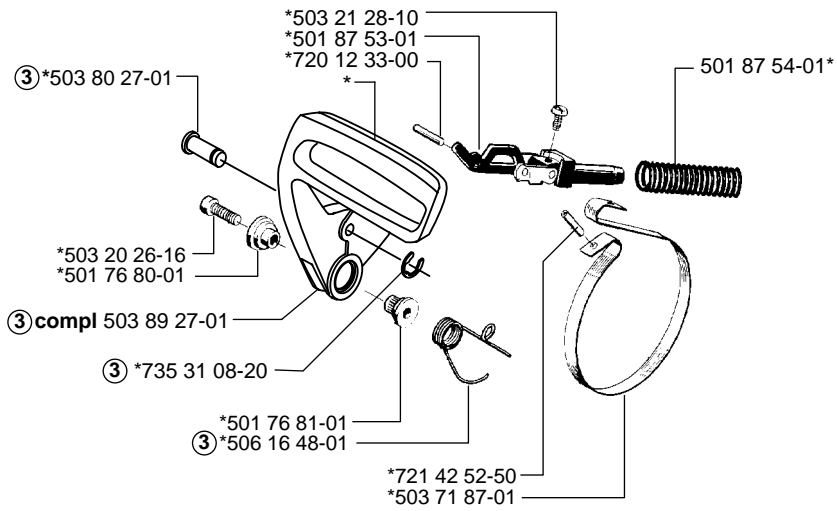
**N**

**Tillbehör**  
**Accessories**  
**Zubehöre**  
**Accessoires**  
**Accesorios**



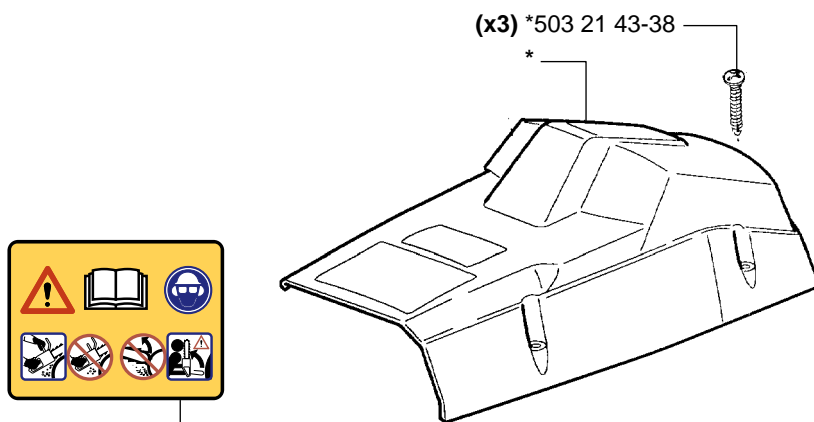
# A

\*compl 503 49 81-03



# B

\*compl 503 60 90-06



\*503 98 74-01

503 66 28-04

**55**  
Husqvarna

MODEL 55 Rancher EPA

| PART NUMBER  | SQUARE NOTE | PART NUMBER  | SQUARE NOTE | PART NUMBER  | SQUARE NOTE | PART NUMBER | SQUARE NOTE |
|--------------|-------------|--------------|-------------|--------------|-------------|-------------|-------------|
| 501 45 16-01 | CG          | 503 23 51-08 | C           | 503 89 27-01 | A           |             |             |
| 501 45 27-02 | J           | 503 25 34-01 | H           | 503 89 81-01 | D           |             |             |
| 501 45 41-01 | J           | 503 26 30-17 | E           | 503 89 81-02 | D           |             |             |
| 501 45 54-03 | H           | 503 28 31-06 | DM          | 503 89 82-01 | D           |             |             |
| 501 45 61-01 | H           | 503 28 90-14 | C           | 503 90 14-01 | K           | N           |             |
| 501 45 74-02 | H           | 503 40 47-01 | E           | 503 90 29-01 | M           |             |             |
| 501 48 54-02 | K           | 503 44 32-01 | E           | 503 90 31-01 | M           |             |             |
| 501 54 63-01 | J           | 503 45 39-02 | H           | 503 90 32-01 | M           |             |             |
| 501 63 06-01 | L           | 503 47 88-01 | M           | 503 90 33-01 | M           |             |             |
| 501 63 97-01 | D           | 503 47 89-01 | M           | 503 90 34-01 | M           |             |             |
| 501 69 17-01 | N           | 503 47 90-01 | M           | 503 97 42-01 | M           |             |             |
| 501 76 13-10 | E           | 503 47 91-01 | M           | 503 97 43-01 | M           |             |             |
| 501 76 18-02 |             | 503 47 92-01 | M           | 503 97 45-01 | M           |             |             |
| 501 76 22-02 | J           | 503 47 94-01 | M           | 503 98 74-01 | B           | N           |             |
| 501 76 30-03 | J           | 503 47 95-01 | M           | 503 99 43-01 | M           | N           |             |
| 501 76 31-01 | L           | 503 47 96-01 | M           | 504 52 30-02 | H           |             |             |
| 501 76 32-01 | H           | 503 47 97-01 | M           | 505 27 57-19 | J           |             |             |
| 501 76 37-01 | H           | 503 47 99-01 | M           | 505 30 37-35 | L           |             |             |
| 501 76 39-02 | E           | 503 48 00-01 | M           | 505 30 51-25 | L           |             |             |
| 501 76 44-03 | J           | 503 48 01-01 | M           | 505 31 07-51 | D           |             |             |
| 501 76 56-02 | J           | 503 48 02-01 | M           | 506 16 48-01 | A           |             |             |
| 501 76 64-03 | J           | 503 48 03-01 | M           | 537 07 72-01 | M           | N           |             |
| 501 76 80-01 | A           | 503 48 05-01 | M           | 537 12 79-01 | C           | N           | 1           |
| 501 76 81-01 | A           | 503 48 09-01 | M           | 537 13 49-01 | M           | N           |             |
| 501 76 83-01 | E           | 503 48 10-01 | M           | 720 12 33-00 | A           |             |             |
| 501 76 88-01 | F           | 503 48 11-01 | M           | 720 12 42-20 | E           |             |             |
| 501 77 00-02 | D           | 503 48 13-01 | M           | 720 13 07-10 | J           |             |             |
| 501 77 76-01 | H           | 503 48 16-01 | M           | 720 13 15-20 | E           | N           |             |
| 501 77 80-02 | E           | 503 48 17-01 | M           | 721 12 10-40 | HJ          |             |             |
| 501 79 50-01 | J           | 503 48 18-01 | M           | 721 42 52-50 | A           |             |             |
| 501 81 96 02 | E           | 503 48 21-01 | M           | 724 12 87-59 | F           | N           |             |
| 501 87 29-07 | E           | 503 49 32-01 | A           | 724 13 29-55 | L           |             |             |
| 501 87 31-01 | E           | 503 49 81-03 | A           | 724 33 25-56 | J           |             |             |
| 501 87 42-02 | A           | 503 52 39-01 | A           | 725 53 29-55 | H           |             |             |
| 501 87 47-01 | A           | 503 54 39-01 | L           | 735 31 08-20 | A           |             |             |
| 501 87 53-01 | A           | 503 57 38-06 | G           | 737 44 10-00 | C           |             |             |
| 501 87 54-01 | A           | 503 57 50-01 | E           | 738 22 02-25 | G           |             |             |
| 501 87 77-02 | E           | 503 57 89-01 | EJ          | 740 44 05-00 | J           |             |             |
| 503 08 46-01 | E           | 503 60 81-71 | C           |              |             |             |             |
| 503 08 87-02 | H           | 503 60 84-01 | D           |              |             |             |             |
| 503 09 79-04 | E           | 503 60 86-01 | L           |              |             |             |             |
| 503 10 16-01 | H           | 503 60 88-03 | L           |              |             |             |             |
| 503 10 49-02 | H           | 503 60 90-06 | B           |              |             |             |             |
| 503 15 21-01 | A           | 503 60 91-72 | C           |              |             | N           |             |
| 503 16 16-02 | D           | 503 61 97-06 | L           |              |             |             |             |
| 503 16 21-03 | C           | 503 66 01-02 | H           |              |             |             |             |
| 503 16 31-01 | K           | 503 66 28-04 | B           |              |             | N           |             |
| 503 20 02-10 | D           | 503 66 59-01 | M           |              |             |             |             |
| 503 20 02-16 | DJ          | 503 66 84-01 | J           |              |             |             |             |
| 503 20 02-25 | CJ          | 503 68 42-42 | J           |              |             |             |             |
| 503 20 02-50 | J           | 503 71 02-03 | K           |              |             | N           |             |
| 503 20 25-20 | K           | 503 71 79-01 | K           |              |             |             |             |
| 503 20 26-16 | A           | 503 71 87-01 | A           |              |             |             |             |
| 503 20 32-16 | D           | 503 72 98-01 | J           |              |             |             |             |
| 503 21 06-16 | EL          | 503 73 04-01 | J           |              |             |             |             |
| 503 21 06-25 | E           | 503 73 08-01 | D           |              |             |             |             |
| 503 21 07-45 | D           | 503 73 09-01 | D           |              |             |             |             |
| 503 21 27-16 | J           | 503 73 58-01 | E           |              |             |             |             |
| 503 21 28-06 | K           | 503 73 81-01 | M           |              |             |             |             |
| 503 21 28-10 | A           | 503 74 54-01 | H           |              |             |             |             |
| 503 21 43-38 | B           | 503 74 91-01 | F           |              |             |             |             |
| 503 21 82-02 | F           | 503 74 97-01 | F           |              |             |             |             |
| 503 22 00-01 | A           | 503 75 53-01 | M           |              |             |             |             |
| 503 22 10-11 | K           | 503 76 48-01 | D           |              |             |             |             |
| 503 22 24-01 | F           | 503 78 24-01 | J           |              |             |             |             |
| 503 22 62-01 | J           | 503 78 32-01 | K           |              |             |             |             |
| 503 23 00-35 | L           | 503 79 00-01 | K           |              |             |             |             |
| 503 23 00-42 | K           | 503 79 05-02 | K           |              |             |             |             |
| 503 23 01-01 | K           | 503 80 27-01 | A           |              |             |             |             |
| 503 23 01-05 | H           | 503 80 56-01 | M           |              |             | 2           |             |

1 = 501 76 18-02 Set of gaskets  
 2 = 503 48 21-01 Dichtungssatz  
 Jeu de joints  
 Juego de juntas  
 Packningssats

N = New part  
 Neues teil  
 Nouvelle piece  
 Nueva pieza  
 Ny detalj

EPA = Environmental Protection Agency  
 (for USA only)